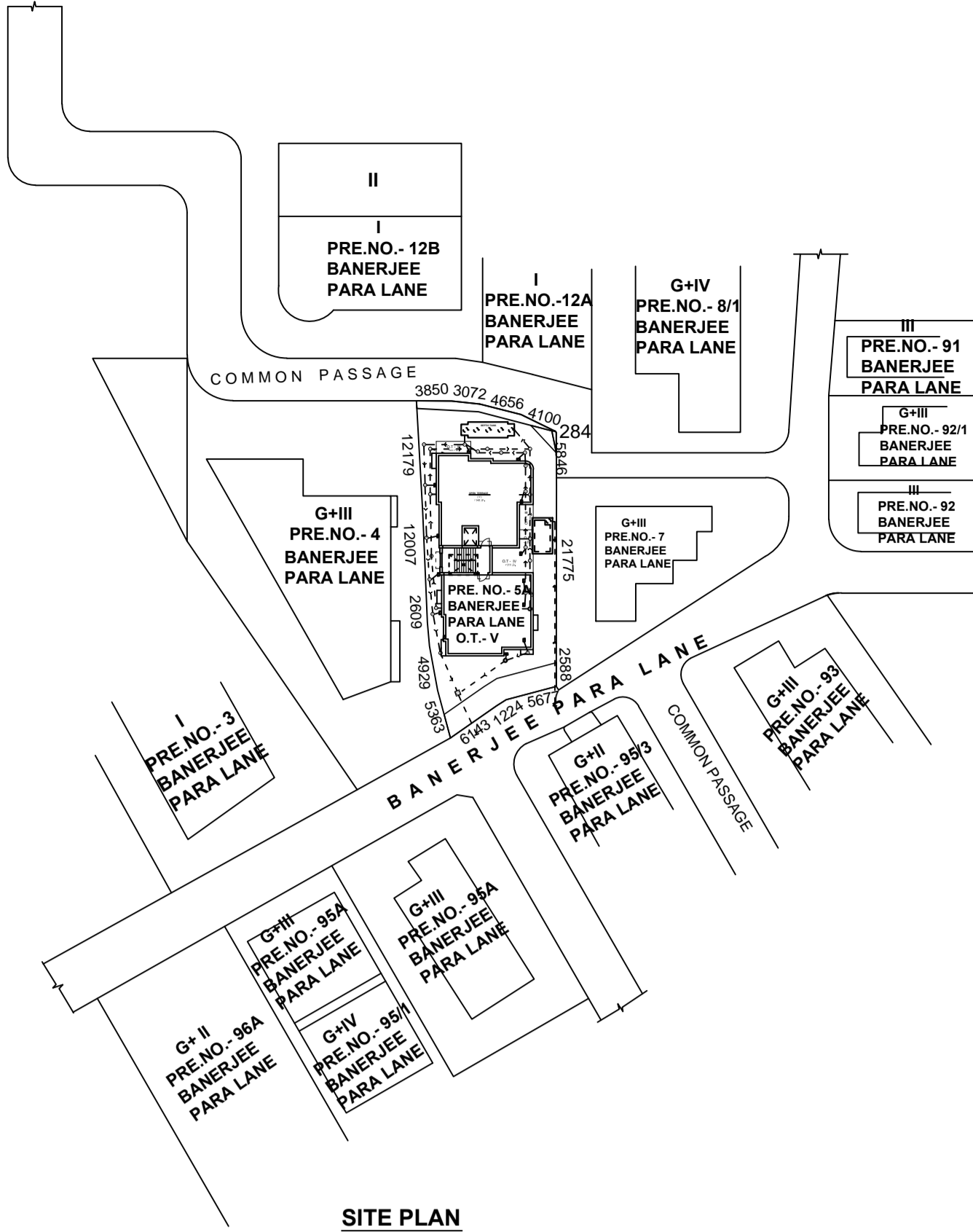
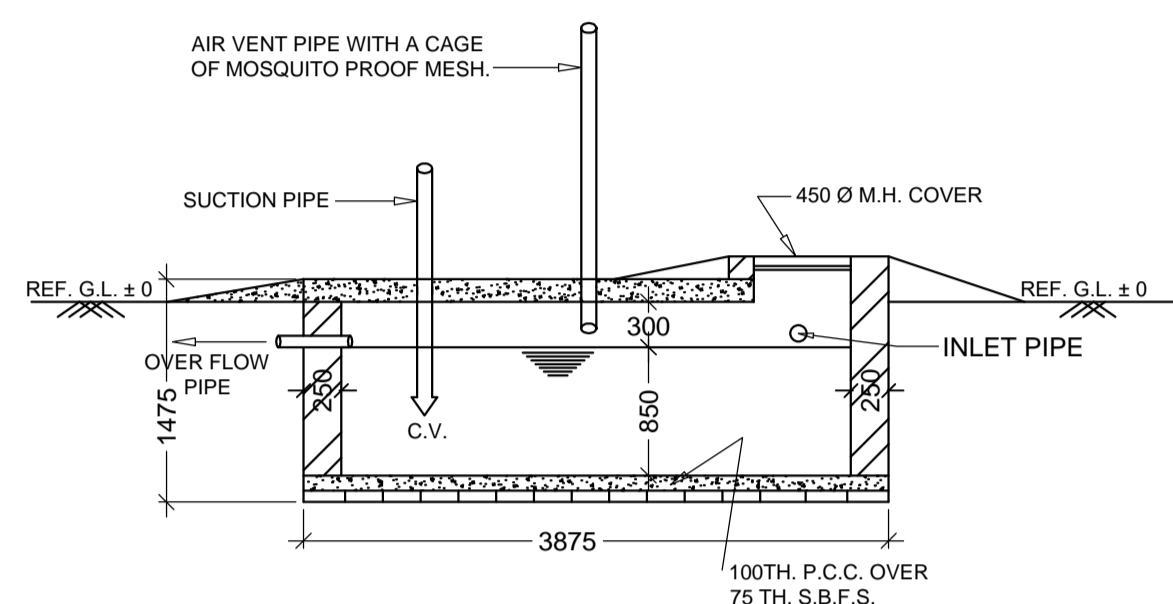


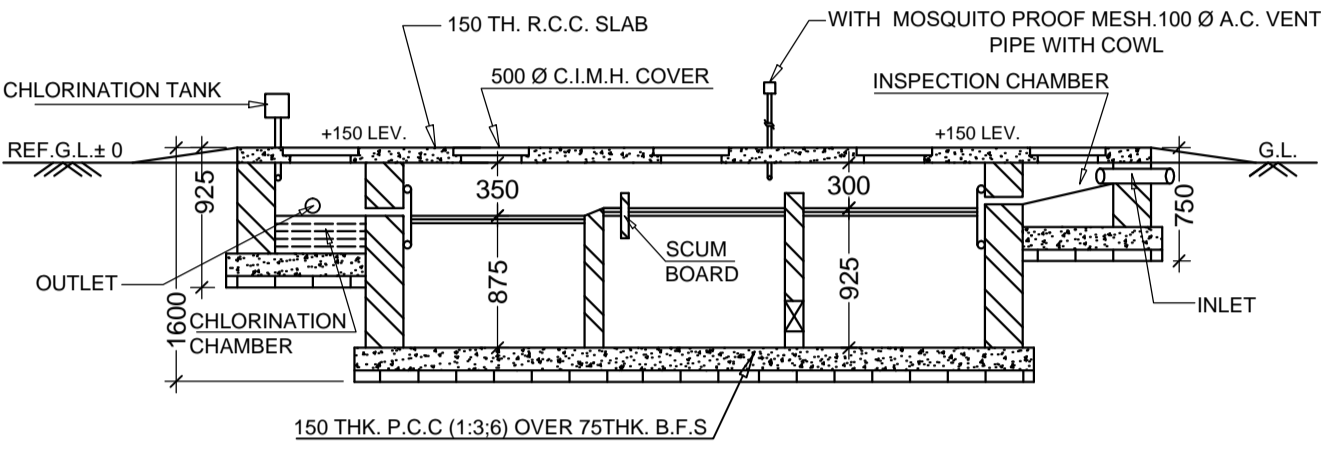
LOCATION PLAN
(SCALE = 1:4000)



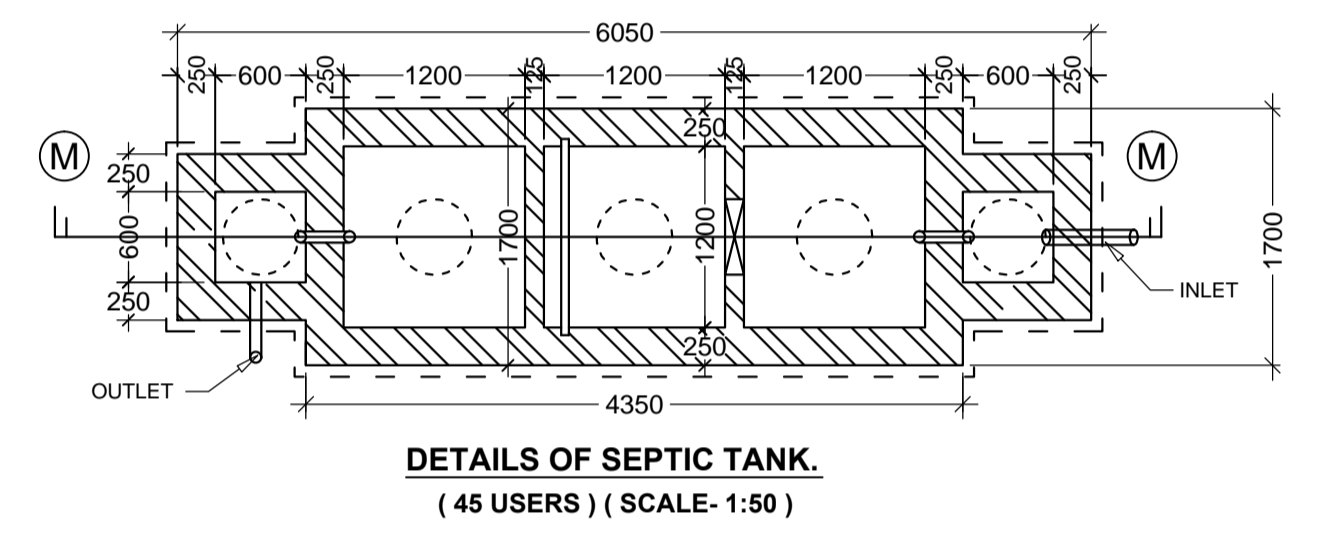
SITE PLAN
(SCALE = 1:800)



SECTION - C - C
(SCALE = 1:50)



SECTION - M - M



DETAILS OF SEPTIC TANK
(45 USERS) (SCALE = 1:50)

DETAILS OF UNDERGROUND WATER RESERVOIR.
(CAP = 1000 GALLONS = 4564 Lts.) (SCALE = 1:50)

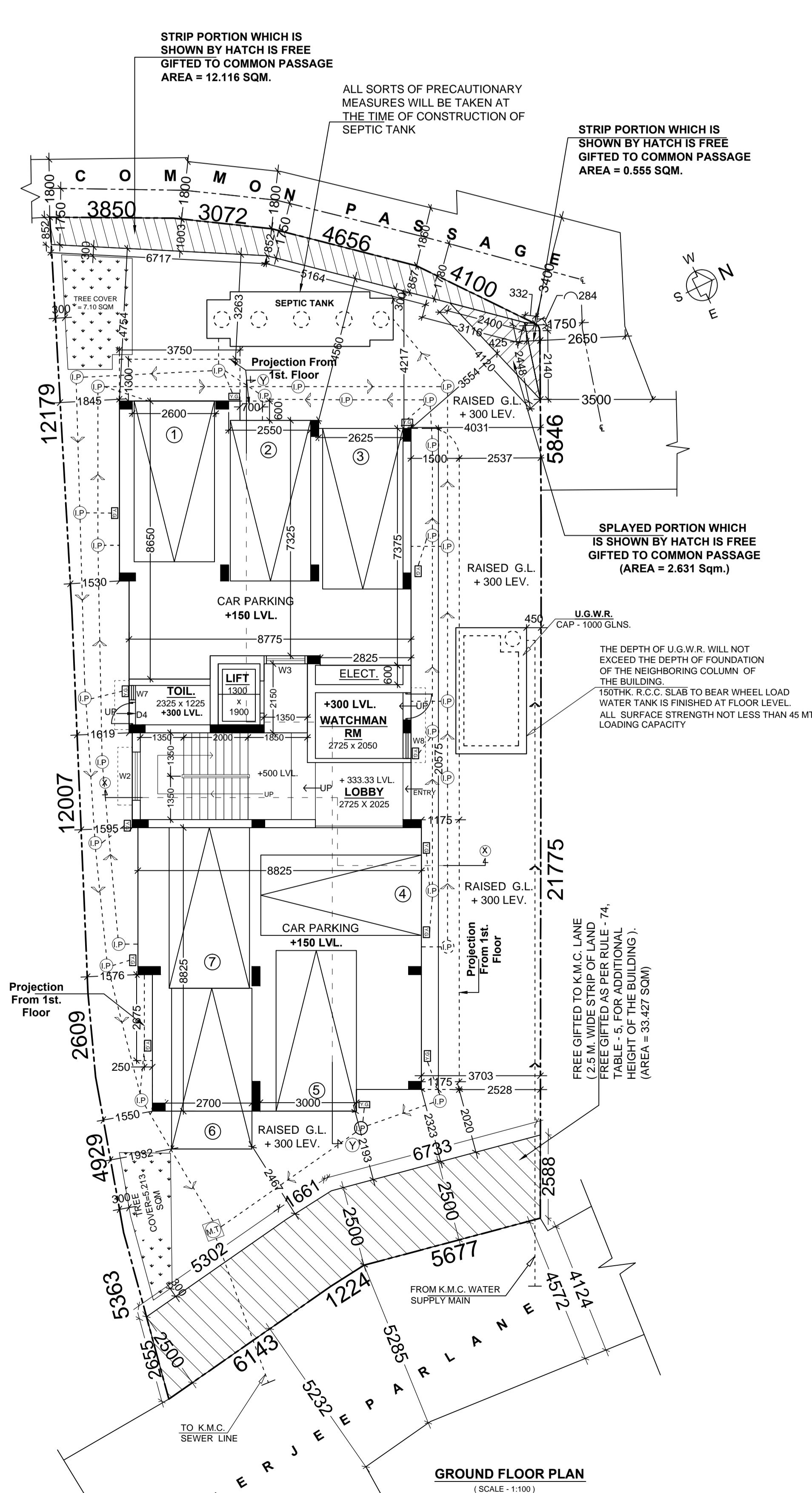
Average Rear Open Space as per Notifications No. - 460/MAC/C-138-13/2012, Dated - 21/10/2014
Average Rear Open Space Calculation = Total Rear Area / Rear Dimension of Proposed Building = 45.527 / 9.875 = 4.189 m.

SPECIFICATION

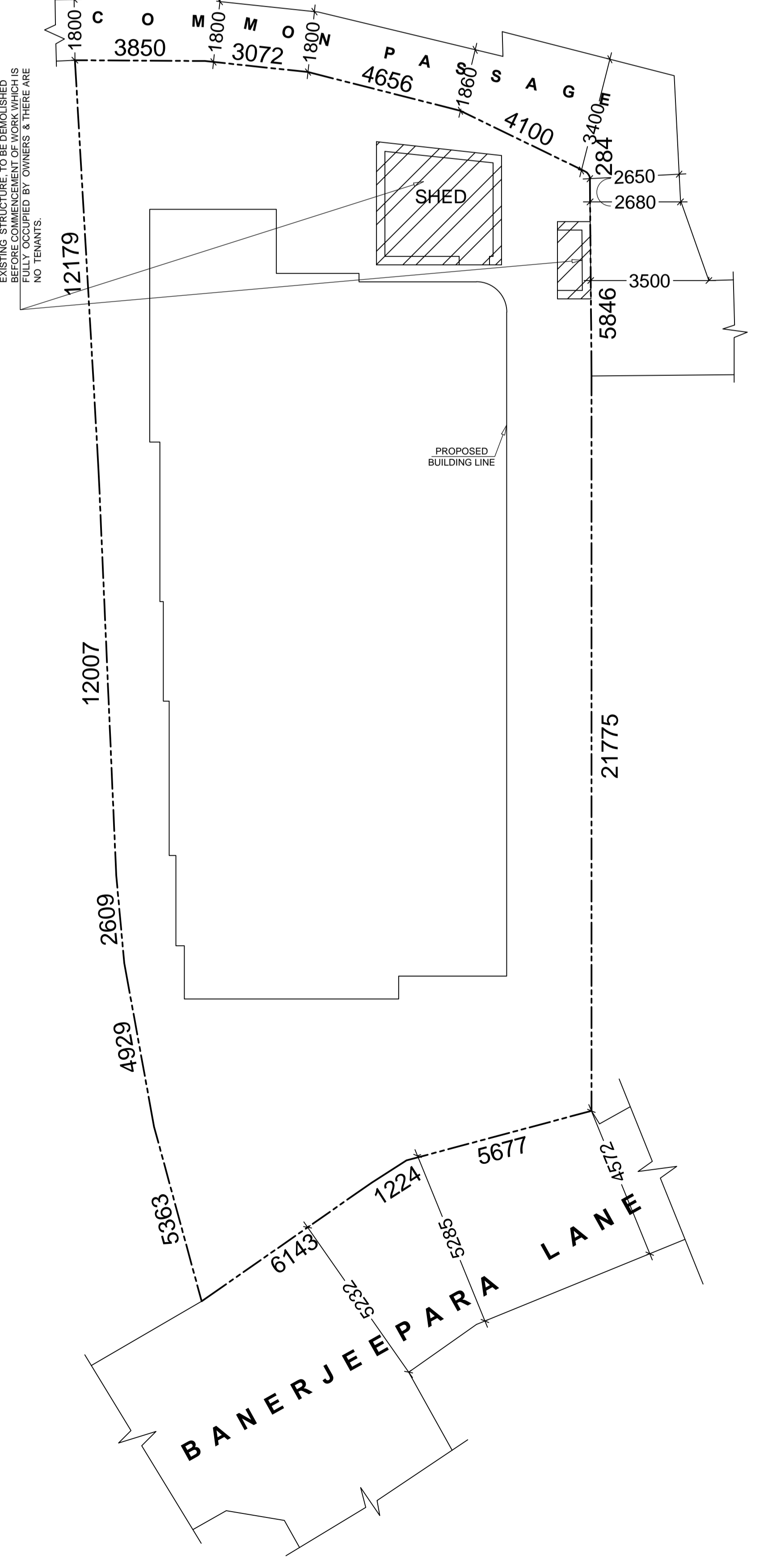
- ALL DIMENSIONS ARE IN MM.
- THE HEIGHT OF THE BUILDING IS 15.450 m.
- THE BUILDING IS R.C.C. FRAME STRUCTURE.
- ALL OUTER WALL ARE 250 / 300 mm THICK.
- ALL INTERNAL WALL ARE 125 / 125 mm THICK.
- GRADE OF CONCRETE IS M20.
- GRADE OF STEEL IS Fe-360.
- 100 THICK LIME TERRACING OVER 100 THICK R.C.C. ROOF SLAB.
- 12 MM THICK PLASTER TO ALL INTERNAL WALL WITH (1 : 5) CEMENT SAND MORTAR.
- HEIGHT OF PARAPET WALL IS 1200 mm.

SCHEDULE OF DOORS AND WINDOWS

D	W	D	W
D1	2400 x 1200	W1	1800 x 1200
D2	1800 x 1200	W2	1500 x 1200
D3	1500 x 1200	W3	1200 x 1200
D4	1200 x 1200	W4	900 x 1200
		W5	900 x 1050
		W6	600 x 900
		W7	450 x 900
		W8	800 x 1200



GROUND FLOOR PLAN
(SCALE = 1:100)



EXISTING STRUCTURE PLAN
(SCALE = 1 : 100)

STATEMENT OF PROPOSAL

PART - A

- ASSEESSEE NO. : 21-091-02-0005-7
- NAME OF THE OWNER/S :
DEEPAJ CONSTRUCTION PVT.LTD.
Director
JAYATI PAUL, MADHAB CH. PAUL.
- DETAILS OF REGD. TITLE DEED
Book NO - I, VOL. NO - 1603-2022, Pages - 35256 to 35285, Being NO - 160300948, Year : 2022.
D.S.R. - III SOUTH 24-PARGANAS, West Bengal. Date - 27/01/2022.
- DETAILS OF FREE GIFT
Strip Portion :
UR 74, TABLE - 5, Area = 33.427 Sqm. (7 CH - 44.808 SFT.)
Book NO - I, VOL. NO - 1602-2022, Pages - 73443 to 73457, Being NO - 160201717, YEAR : 2022.
D.S.R. - II SOUTH 24-PARGANAS, West Bengal. Date - 24/02/2022.
UR 59(2), Area = (12.116 Sqm + 0.555 Sqm.) = 12.671 Sqm. (3 CH - 1.391 SFT.)
Book NO - I, VOL. NO - 1602-2022, Pages - 73427 to 73442, Being NO - 160201720, YEAR : 2022.
D.S.R. - II SOUTH 24-PARGANAS, West Bengal. Date - 24/02/2022.
Corner Splay
Area = 2.631 Sqm. (28.320 Sft.)
Book NO - I, VOL. NO - 1602-2022, Pages - 73458 to 73472, Being NO - 160201718, YEAR : 2022.
D.S.R. - II SOUTH 24-PARGANAS, West Bengal. Date - 24/02/2022.

PART - B

- AREA OF LAND :
As per Title deed
- NET AREA OF LAND : = 415.782 Sqm.
LAND AREA - (Strip Portion + splay Portion)
- PERMISSIBLE GROUND COVERAGE = 51.183 % = 237.751 Sqm.
(6 K. - 15 CH. - 05 SFT.) : 464.511 Sqm.
- PROPOSED GROUND COVERAGE = 47.823 % = 222.144 Sqm.

5. PROPOSED AREA :

Total Covered Area (Including Stair, Lift Duct & Lobby)	CUTOUT Lift Duct Area	Covered Area (Excluding Void)	EXEMPTED		Floor Area (Excluding Stair, Lift Duct & Lobby)
			Stair Way Area (Excluding Stair Void)	Lift Lobby	
188.642 Sqm.	---	188.642 Sqm.	12.690 Sqm.	2.903 Sqm.	173.050 Sqm.
222.144 Sqm.	2.470 Sqm.	219.674 Sqm.	13.365 Sqm.	2.903 Sqm.	203.407 Sqm.
222.144 Sqm.	2.470 Sqm.	219.674 Sqm.	13.365 Sqm.	2.903 Sqm.	203.407 Sqm.
213.519 Sqm.	2.470 Sqm.	211.049 Sqm.	13.365 Sqm.	2.903 Sqm.	194.782 Sqm.
198.099 Sqm.	2.470 Sqm.	195.629 Sqm.	13.365 Sqm.	2.903 Sqm.	179.362 Sqm.
1044.548 Sqm.	9.880 Sqm.	1034.668 Sqm.	66.150 Sqm.	14.515 Sqm.	954.008 Sqm.

TOTAL EXEMPTED AREA = (66.150 Sqm. + 14.515 Sqm.) = 80.665 Sqm.

6. PARKING CALCULATION :

A)	Prop. Share	Tenement Size	Tenement No	Required Parking
Between 50 - 75 Sqm.				
1 - 58.378 Sqm.	8.879	67.257 Sqm.	2 Nos.	
3 - 56.581 Sqm.	8.606	65.187 Sqm.	2 Nos.	1 No.
Between 75 - 100 Sqm.				
2 - 86.504 Sqm.	13.157	99.661 Sqm.	2 No.	1 No.
Above 100 Sqm.				
4 - 88.746 Sqm.	13.498	102.244 Sqm.	1 No.	1 No.
5 - 104.092 Sqm.	15.832	119.924 Sqm.	1 No.	1 No.
6 - 89.353 Sqm.	13.590	102.943 Sqm.	1 No.	1 No.
7 - 87.390 Sqm.	13.291	100.681 Sqm.	1 No.	1 No.

- B) NOS. OF PARKING REQUIRED = 6 Nos.
NOS. OF PARKING PROVIDED = 6 Nos. (Covered Parking) + 1 Nos. (Open Parking)

- C) Permissible area for parking : (a) GROUND FLOOR = 6Nos. x 25
D) Actual area of parking provided : (a) GROUND FLOOR PARKING = 144.669 Sqm.
7. PERMISSIBLE F. A. R. = 1.75
8. PROPOSED F. A. R. = (954.008 - 144.669) / 464.511 = 1.742

9. STATEMENT OF OTHER AREAS FOR FEES

FLOOR	LOFT	CUPBOARD	LEDGE / TEND
Ground Floor			
First Floor		5.133 Sqm.	
Second Floor		5.133 Sqm.	
Third Floor		5.133 Sqm.	
Fourth Floor		4.320 Sqm.	
Total		19.719 Sqm.	

- STAIR HEAD ROOM AREA = 18.240 Sqm.
- OVER HEAD TANK AREA = 6.889 Sqm.
- LIFT DUCT AREA = 2.470 Sqm.
- AREA OF TOP COVER OF M/C RM LESS LIFT = 3.870 Sqm.
- TOTAL ADDITIONAL AREAS FOR FEES (cupboard, stair head m, cover of Lift) = 41.829 Sqm.
- HEIGHT OF THE BUILDING = 15.450 m.
- RELAXATION OF AUTHORITY = U/R 76 (i) OF KMC BUILDING RULE 2009
- PERMISSIBLE TREE COVER AREA = 1034.668 x 15 % x 464.511 = 72.810 Sqm.
- PROPOSED TREE COVER AREA = 12.313 Sqm.
- TOTAL COMMON AREA = 117.493 SQM
- TOTAL TERRACE AREA = 222.144 SQM
- TOTAL RESIDENTIAL AREA = 1034.668 SQM
- TOTAL FLOOR AREA FOR FEES = (1034.668 + 41.829) = 1076.497 SQM

WE DO HEREBY UNDERTAKE WITH FULL RESPONSIBILITY THAT -
1. WE SHALL ENGAGE L.B.S. & E.S.E. DURING CONSTRUCTION.
2. WE SHALL FOLLOW THE INSTRUCTION OF L.B.S. & E.S.E. DURING CONSTRUCTION OF THE BUILDING (AS PER B.S. PLAN).
3. K.M.C. AUTHORITY WILL NOT BE RESPONSIBLE FOR STRUCTURAL STABILITY OF THE BUILDING & ADJOINING STRUCTURE.
4. IF ANY SUBMITTED DOCUMENTS ARE FOUND TO BE FAKE, THE K.M.C. AUTHORITY MAY REVOKE THE SANCTION PLAN.
5. THE CONSTRUCTION OF UNDER GROUND WATER RESERVOIR & SEPTIC TANK WILL BE UNDER THE GUIDANCE OF L.B.S. / E.S.E. BEFORE STARTING OF BUILDING FOUNDATION WORK.
6. DURING INSPECTION THE SITE IS IDENTIFIED BY US.

DEEPAJ CONSTRUCTION PVT.LTD.
JAYATI PAUL, MADHAB CH. PAUL.
Director
NAME OF OWNERS

DECLARATION OF L.B.S.
CERTIFIED WITH FULL RESPONSIBILITY THAT THE BUILDING PLAN HAS BEEN DRAWN UP AS PER PROVISION OF K.M.C. BUILDING RULES 2009 AS AMENDED FROM TIME TO TIME & THAT THE SITE CONDITION INCLUDING THE ABUTTING ROADS CONFORM WITH THE PLAN, WHICH HAS BEEN MEASURED AND VERIFIED BY ME. IT IS A BUILDABLE SITE AND NOT A TANK OR FILLED UP TANK. THE LAND IS DEMARCATED BY BOUNDARY WALL. THE CONSTRUCTION OF U. G. WATER TANK & SEPTIC TANK WILL BE COMPLETED BEFORE STARTING OF BUILDING FOUNDATION WORK.

MADHAB CH. PAUL.
[L.B.S. No. - 526 / Class - I]
NAME OF L.B.S.

DECLARATION OF E.S.E.
THE STRUCTURAL DESIGNS AND DRAWINGS OF BOTH FOUNDATION AND SUPERSTRUCTURE OF THE BUILDING HAS BEEN MADE BY ME CONSIDERING ALL POSSIBLE LOADS INCLUDING SEISMIC LOAD AS PER THE NATIONAL BUILDING CODE OF INDIA AND CERTIFIED THAT IT IS SAFE AND STABLE IN ALL RESPECT.
SOIL TESTING HAS BEEN DONE BY DR. S. K. CHAKRABORTY (G.T.E. NO - 161) OF J. B. ASSOCIATES, OF (ADDRESS) 26B, AHIRI PUKUR ROAD, KOLKATA - 700019. THE RECOMMENDATIONS OF SOIL TEST REPORT HAS BEEN CONSIDERED DURING STRUCTURAL CALCULATIONS.

MADHAB CH. PAUL
E.S.E. NO - 229 / II
NAME OF E.S.E. (K.M.C.)

DECLARATION OF G.T.E.
UNDERSIGNED HAS INSPECTED THE SITE & CARRIED OUT THE SOIL INVESTIGATION THEREIN. IT IS CERTIFIED THAT THE EXISTING SOIL OF THE SITE IS ABLE TO CARRY OUT THE LOAD COMING FROM THE PROPOSED CONSTRUCTION AND THE FOUNDATION SYSTEM PROPOSED THEREIN IS SAFE & STABLE IN ALL RESPECT FROM GEO-TECHNICAL POINT OF VIEW.

DR. S. K. CHAKRABORTY
K.M.C. G.T.E. NO - 16 (Class - I)
NAME OF GEO-TECHNICAL ENGINEER.

PROPOSED FIVE (G + IV) STORIED (Height of the Building is 15.450 m.)
RESIDENTIAL BUILDING PLAN UNDER SECTION 393A OF K.M.C. ACT 1980
& K.M.C. Building Rules 2009, AT PRE. NO. - 5A, BANERJEE PARA LANE.
KOLKATA - 700 031. P. S. - GARFA, WARD NO. - 91, BOROUGH - X.
MOUZA - DHAKURIA.

*** DETAILS OF ARCHITECTURAL DRAWING ***

SCALE	1:50	*ARCHITECTS & ENGINEERS* Deep Pal Consultancy (P) Ltd. 48/1A, Dr. Surendra Sarker Road, Kolkata - 700 014. E-mail : dpickol@yahoo.com	*DRAWN BY* RITA	*Checked BY* M.C. Paul	*Date* 01.03.2022
	1:100 1:600 1:4000				
	W - 91 B - (X)				

B.P. NO. : 2022100010
DATE: 19-APR-22
valid for 5 years from date of sanction.